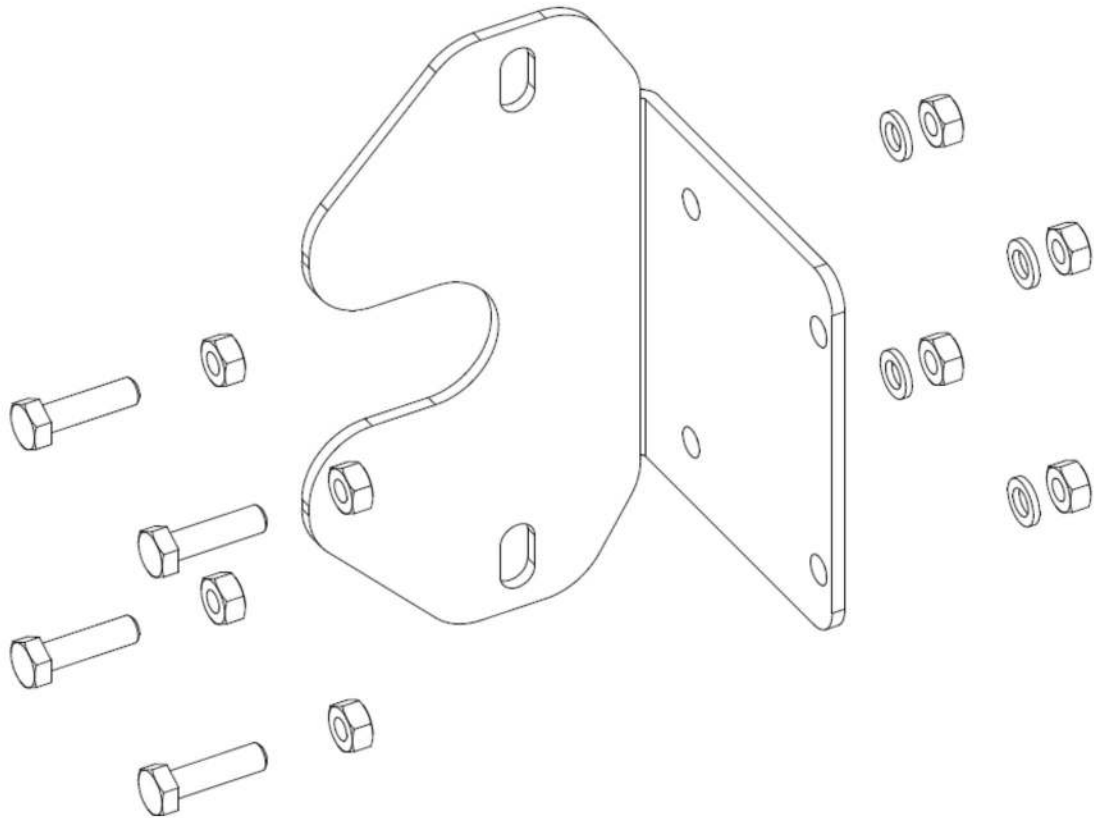


» OPERADOR ELECTROMECHANICO LATERAL USO CONTINUO MARCA ELSAMEC  
MOD.SPEEDY VSF.

*elsamec*   
*gears for comfort*



**L-Bracket Kit Right or Left for Speedy VSF**  
**COD. 74730000**



**Installation, Operation and Maintenance Instruction Manual**  
**For Speedy VSF - OMEGA RIGHT/ LEFT FIXING**



V05.23

## » OPERADOR ELECTROMECHANICO LATERAL USO CONTINUO MARCA ELSAMEC MOD.SPEEDY VSF.

### WARNINGS FOR THE INSTALLER

#### GENERAL SAFETY OBLIGATIONS

**WARNING! Incorrect installation can lead to serious risks Follow and keep the following instructions.**

Incorrect installation or use of the product can lead to serious personal injury. Read the instructions carefully before starting to install the product.

**This device has been constructed in accordance with the strictest safety standards in the industry and complies with the European Low Voltage Directive 2006/95/EC (formerly 73/23/EC), and EMC Directive 2004/108/EC (formerly 89/366/EC).**

Installation must be carried out in compliance with the regulations in force regarding installations, in particular CEI 64/8; the manufacturer declines all responsibility in the event of incorrect installation or improper use of the product. In order to comply with standards, the installation must provide for a "HOMNIPOLAR SWITCH" upstream of the motor power supply, with a contact opening distance of at least 3 mm. For the various electrical connections, if there are no different specifications, and with the remote control switch on board, use a CEI 20-22 3x1.5 cable with a max. diameter of 10.6 mm to power the system and a CEI 20-22 4x0.5 cable with a max. diameter of 8 mm, without earth wire, to operate the up/down push-button panel or any key selector, which must comply with standard EN 60335-2-95.

#### EARTHING IS COMPULSORY!

Before installation, remove all unnecessary objects that may be present from previous installations. Install the motor at a minimum height of 2.5 m.; position the motor control away from moving parts, but in a position where the damper can be seen clearly during its movement and at a minimum height of 1.5 m.; systems for manual rescue operation must always be gripped and positioned in such a way as to allow easy manoeuvring. **Follow the instructions in the assembly instructions. If no release systems are provided from outside, ensure that the room served by the operator has another independent entrance.**

#### After installation:

check the movement of the damper (remove any persons in the vicinity of the damper until it is completely closed); check the correct operation of the limit switch;

install appropriate safety devices to prevent the incorrect or unintentional operation of the damper, both when opening and closing, from constituting a danger to persons or property interfering with the movement of the damper itself; check the correct functioning of the systems for manual rescue operation.

**ONCE INSTALLATION IS COMPLETE, THE INSTALLER MUST INSTRUCT THE USER ON THE CORRECT OPERATION OF THE ENTIRE SYSTEM AND THE PROCEDURE TO FOLLOW IN THE EVENT OF A FAULT OR MALFUNCTION, AND ISSUE A CERTIFICATE OF CONFORMITY IN ACCORDANCE WITH D.M. 37/8.**

This product has been designed and manufactured exclusively for the use indicated in this documentation. Any other use not expressly indicated could impair the integrity of the product and/or be a source of danger.

Elsamec srl disclaims any liability arising from improper use or use other than that for which the automaton is intended.

Do not install the device in an explosive atmosphere: the presence of flammable gases or fumes constitutes a serious safety hazard.

Elsamec srl is not liable for non-compliance with Good Technical Practice in the construction of locks to be motorised, nor for any deformations that may occur during use.

Installation must be carried out in compliance with the relevant standards.

For non-EC countries, in addition to the national regulatory references, the above standards must be followed to achieve an adequate level of safety.

**Elsamec srl disclaims all liability for the safety and proper functioning of the automation, should components of the system not manufactured by Elsamec srl be used.**

Use only original Elsamec srl parts for maintenance.

Do not make any changes to the components that are part of the automation system.

Do not allow children or persons to stand near the product during operation.

Keep radio controls or any other impulse givers out of reach of children, to prevent the drive from being operated unintentionally.

Transit is only permitted with the automation fully open.

The user must refrain from any attempt at repair or direct intervention and should only contact qualified personnel. Anything not expressly provided for in these instructions is not permitted.



» OPERADOR ELECTROMECHANICO LATERAL USO CONTINUO MARCA ELSAMEC  
MOD.SPEEDY VSF.

**Summary**

WARNINGS FOR THE INSTALLER .....2  
 ASSEMBLY SEQUENCE .....3  
 TECHNICAL DRAWINGS.....6  
 EC' DECLARATION OF CONFORMITY .....7

**ASSEMBLY SEQUENCE**



**FASTEN AND TIGHTEN ON THE LOWER PART OF THE GEARBOX THE 4 BOLTS AND NUTS IN THEIR RESPECTIVE SLOTS SUPPLIED WITH THE KIT AS SHOWN IN THE PHOTO.**



V05.23

» OPERADOR ELECTROMECHANICO LATERAL USO CONTINUO MARCA ELSAMEC  
MOD.SPEEDY VSF.

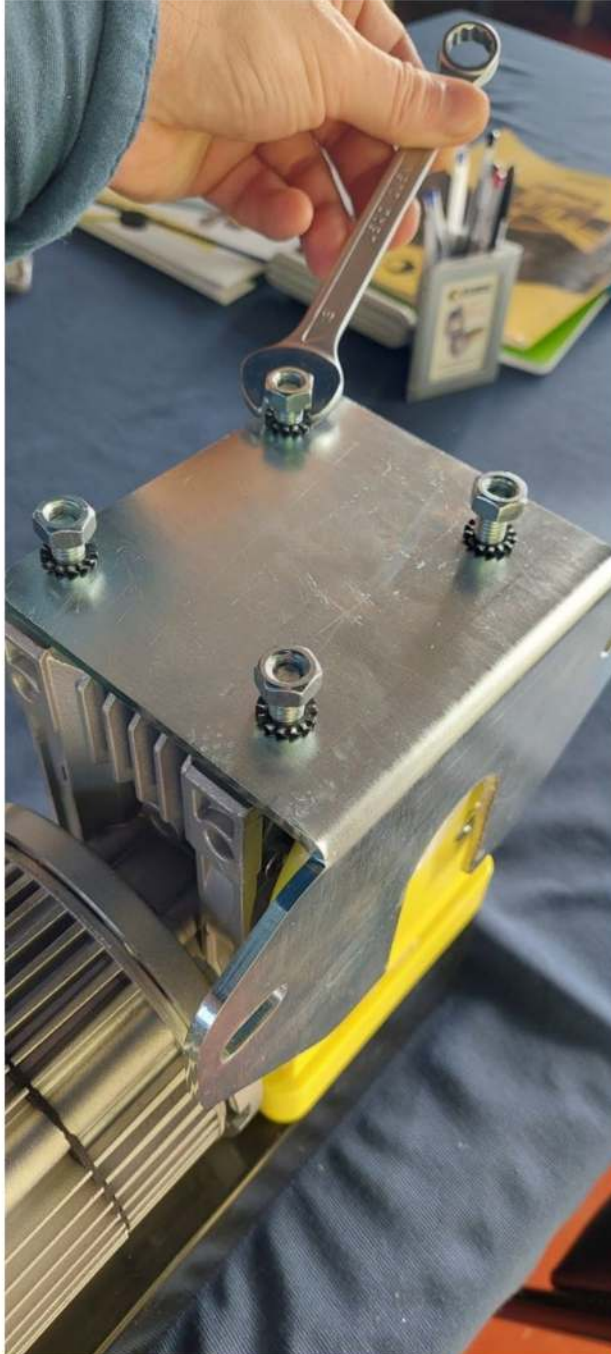


**SUPPORT THE SUPPLIED BRACKET BY MATCHING THE 4 HOLES WITH THE PREVIOUSLY SECURED BOLTS AND NUTS.**

**NOTE: POSITION THE BRACKET IN THE DESIRED MOUNTING DIRECTION ACCORDING TO THE FIXING SIDE ON THE DOOR (SEE NEXT SECTION FOR TECHNICAL DRAWINGS).**



» OPERADOR ELECTROMECHANICO LATERAL USO CONTINUO MARCA ELSAMEC  
MOD.SPEEDY VSF.



**POSITION THE ZINC-PLATED WASHERS AND NUTS AS IN FIGURE.**

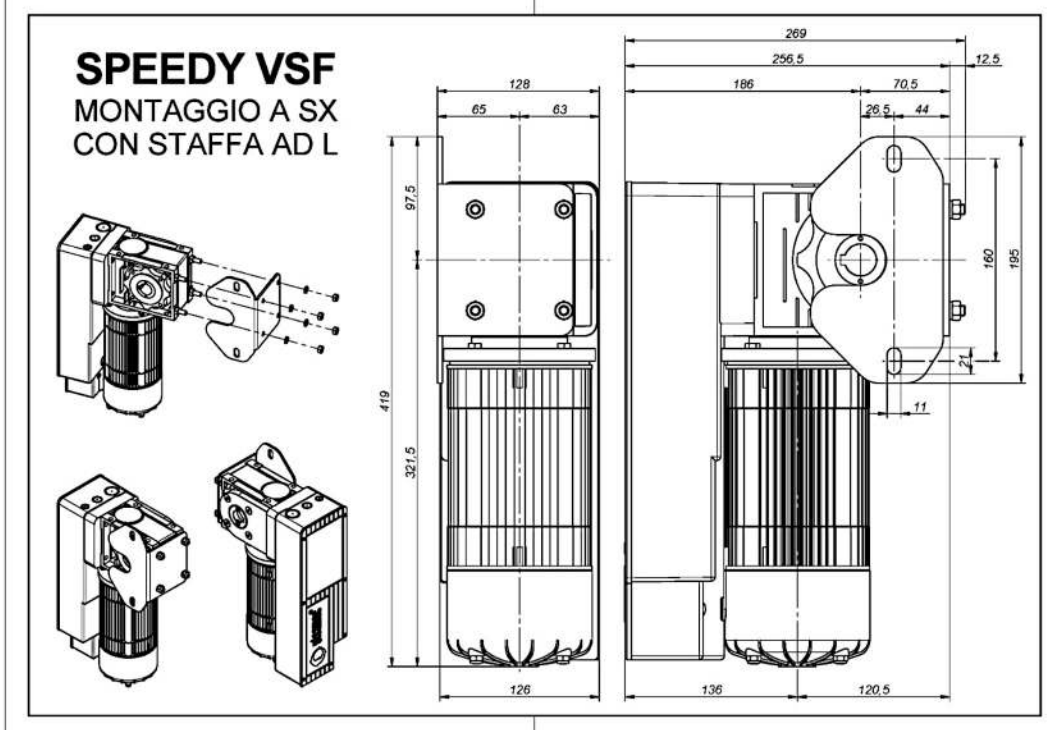
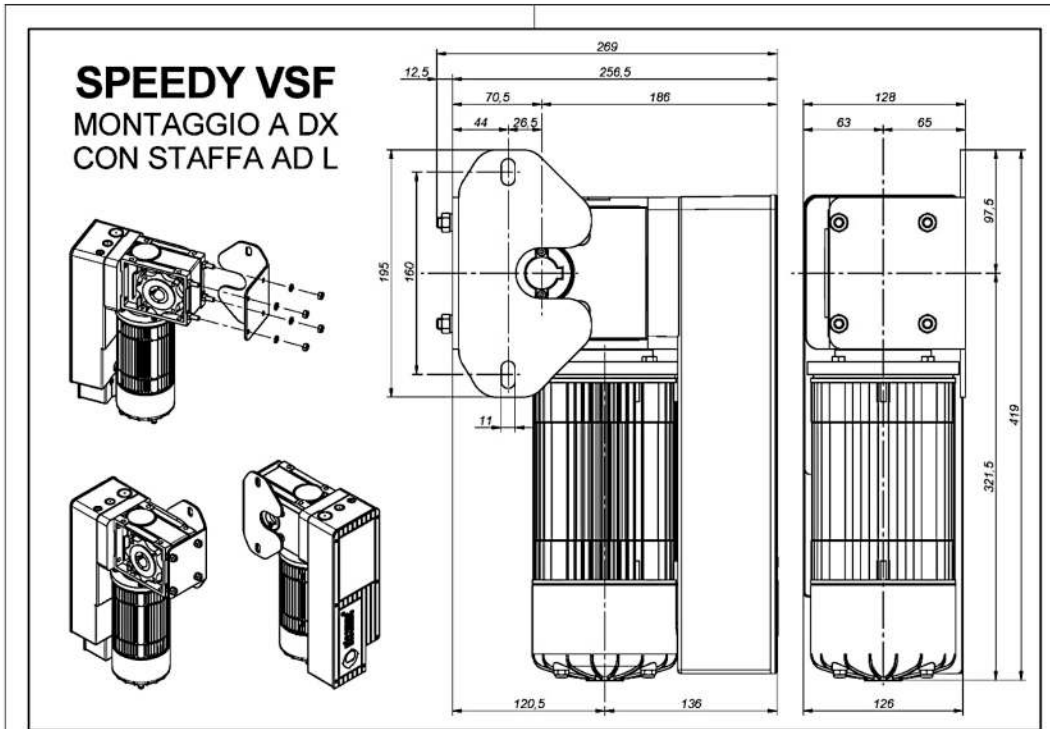
**PROVIDE FINAL TIGHTENING TO COMPLETE THE INSTALLATION OF THE KIT.**

**FOLLOWS THE ASSEMBLY PHASE ON THE SIDE OF THE DOOR.**

**NOTE: IN THE SAME WAY AS THE FIXING HAS BEEN DESCRIBED SO FAR, THE SAME PROCEDURE CAN BE FOLLOWED STARTING FROM THE BRACKET ALREADY MOUNTED ON THE SIDE OF THE DOOR.**



» OPERADOR ELECTROMECHANICO LATERAL USO CONTINUO MARCA ELSAMEC  
MOD.SPEEDY VSF.  
TECHNICAL DRAWINGS





Puertas & Portones Automáticos, S.A. de C.V.

*¡Nuestra pasión es la Solución!....*

» OPERADOR ELECTROMECHANICO LATERAL USO CONTINUO MARCA ELSAMEC  
MOD.SPEEDY VSF.



**Puertas & Portones Automaticos S.A. de C.V.**  
*¡Nuestra pasión es la Solución!....*

(229) 461-7028

portonesautomaticos@adsver.com.mx  
portonesautomaticos@prodigy.net.mx



V05.23

(229) 927-5107, 167-8080, 167-8007, 151-7529



www.adsver.com.mx